

15" XGA AFOLUX Panel PC

**AFL-15A(E)-N270**

Intel® Atom™ N270 1.6GHz Processor

**Features**

- 15" TFT LCD with resistive touch screen
- System memory up to 2 GB RAM
- Built-in 802.11b/g (or 802.11b/g/n) wireless LAN
- Selectable AT/ATX power mode through the switch inside the chassis
- Built-in two speakers
- One CompactFlash® slot
- IP 64 compliant front panel
- IEI One Key Recovery solution allows you to create rapid OS backup and recovery (over 4GB storage capacity is suggested)

**Specifications**

| Model                           | AFL-15A(E)-N270 <span style="float: right;">Fanless</span>  |
|---------------------------------|---|
| LCD Size                        | 15"   |
| Max Resolution                  | 1024 x 768  |
| Brightness (cd/m <sup>2</sup> ) | 250   |
| Contrast Ratio                  | 700:1   |
| LCD Color                       | 262K or 16.7M   |
| Pixel Pitch (mm)                | 0.297(H) x 0.297(V)   |
| Viewing Angle (H-V)             | 160°/140° or 170°/160°  |
| Backlight MTBF                  | 50000 or 30000 hrs  |
| SBC Model                       | AFLMB2-945GSE-N270-R10  |
| CPU                             | Intel® Atom™ N270 1.6GHz processor  |
| Chipset                         | Intel® 945GSE + ICH7M   |
| RAM                             | Supports one 400MHz or 533MHz DDR2 SO-DIMM (Max. 2GB)   |
| I/O Ports                       | 1 x RS-232 COM Port<br>1 x RS-232/422/485 COM Port<br>2 x RJ-45 for GbE<br>4 x USB 2.0<br>1 x Power Switch<br>1 x Reset Button<br>1 x Audio Port (line-out)<br>1 x VGA Port<br>1 x Power Jack |
| Storage                         | CF Type II  |
| Watchdog Timer                  | Software programmable supports 1~255 sec. system reset  |
| Audio                           | AMP 1.5W + 1.5W (internal speakers)   |
| Wireless Connection             | 1 x Wireless LAN 802.11b/g/n Module (internal PCIe Mini interface) (AFL-15A-N270 with telec certified)  |
| Construction Front Panel        | ABS + PC Plastic front frame  |
| LED Function                    | 1 x Power on/off LED on front panel   |
| Mounting                        | Panel, Wall, Rack, Stand and Arm, VESA 100mm x 100mm  |
| Front Panel Color               | Sliver (877U) & Gray (ABSA2037)   |
| Dimensions (WxHxD) (mm)         | 394 x 309 x 61  |
| Operation Temperature (°C)      | 0°C ~40°C with SATA HDD<br>-10°C ~50°C with CF Card or SATA interface 2.5" SSD HDD  |
| Storage Temperature (°C)        | -20°C ~ 60°C  |
| N/G Weight                      | 3.2 Kg  |
| IP Level                        | IP 64 compliant front panel   |
| Safety & EMC                    | CE / FCC  |
| Touch Screen                    | 5-wire resistive type (Touch controller IC is on board)   |
| Power Adapter                   | P/N: 63040-010060-050-RS<br>60W Power Adapter (Meet PSE)<br>Input: 90VAC~264VAC, 50/60Hz / Output: 12VDC  |
| Power Requirement               | 12VDC   |
| Power Consumption               | 49W   |

15" XGA AFOLUX Panel PC

**AFL-15i(E)-HM55**

Intel® Core™ i7/i5/i3/Celeron® Processor



**Dual  
Independent  
Display!**

**NEW Features in HM55 Platform :**

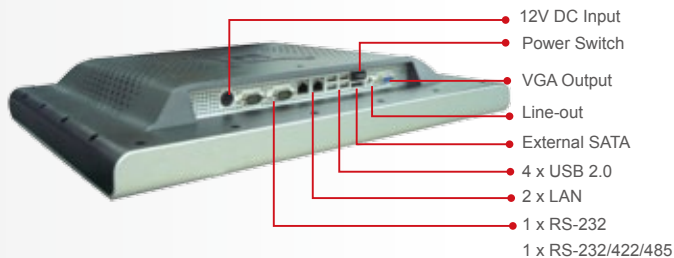
- Powered by high performance 2.66 GHz Intel® Core i7-620M CPU with Intel® HM55 chipset
- DDR3 1066MHz system memory up to 4GB
- HDMI/VGA port delivers high quality image on the second display
- IEI One Key Recovery solution allows you to create rapid OS backup and recovery (over 4GB storage capacity is suggested)

**Specifications**

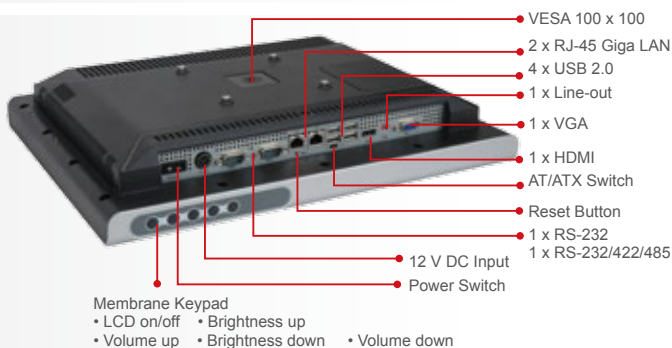
| Model                           | AFL-15i(E)-HM55  |
|---------------------------------|--|
| LCD Size                        | 15"  |
| Max Resolution                  | 1024 x 768   |
| Brightness (cd/m <sup>2</sup> ) | 400 or 250   |
| Contrast Ratio                  | 700:1  |
| LCD Color                       | 262K or 16.7M  |
| Pixel Pitch (mm)                | 0.297(H) x 0.297(V)  |
| Viewing Angle (H-V)             | 160°/140° or 170°/160°   |
| Backlight MTBF                  | 50000 hrs (LED backlighting) or 30000 hrs  |
| SBC Model                       | AFLMB2-HM55-R10  |
| CPU                             | Intel® Core™ i7/i5/i3/Celeron® Processor   |
| Chipset                         | Intel® HM55  |
| RAM                             | Two 204-pin 800/1066MHz DDR3 dual-channel SO-DIMMs supported (Max. 8GB)  |
| I/O Ports                       | 1 x RS-232 COM Port<br>1 x RS-232/422/485 COM Port<br>2 x RJ-45 for Giga LAN<br>4 x USB 2.0<br>1 x Power Switch<br>1 x Reset Button<br>1 x Audio Port (Line-out)<br>1 x VGA<br>1 x Power Jack<br>1 x HDMI Port |
| Storage                         | SATA SSD   |
| Watchdog Timer                  | Software programmable supports 1~255 sec. system reset   |
| Audio                           | AMP 3W + 3W (internal speakers)  |
| Wireless Connection             | 1 x Wireless LAN 802.11b/g/n Module (internal PCIe Mini card interface) (AFL-15i-HM55 with telec certified)  |
| Drive Bay                       | 1 x 2.5" SATA HDD bay  |
| Construction Front Panel        | ABS + PC Plastic front frame   |
| Membrane Keypad                 | LCD on/off, Brightness up/down, Volume up/down (5 keys)  |
| LED Function                    | 1 x Power on/off LED on front panel  |
| Mounting                        | Panel, Wall, Rack, Stand and Arm VESA 100mm x 100mm  |
| Front Panel Color               | Sliver (877U) & Gray (ABSA2037)  |
| Dimensions (WxHxD) (mm)         | 394 x 309 x 66   |
| Operation Temperature (°C)      | 0°C~50°C   |
| Storage Temperature (°C)        | -20°C ~ 60°C   |
| N/G Weight                      | 5.8 Kg   |
| IP Level                        | Front Frame IP64   |
| Touch Screen                    | Resistive Type 5-Wire (Touch controller IC is on board)  |
| Power Adapter                   | P/N: 63040-010096-010-RS<br>96W Power Adapter (Meet PSE)<br>Input: 90VAC~264VAC, 50/60Hz<br>Output: 12VDC  |
| Power Requirement               | 12VDC  |
| Power Consumption               | 80W  |

Fully Integrated I/O

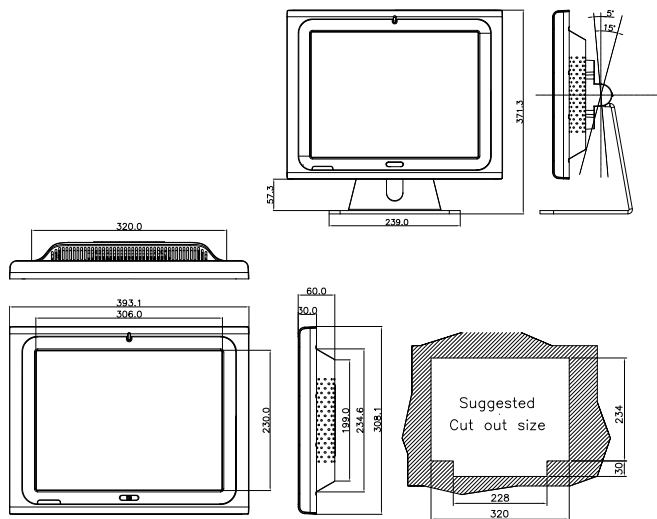
# AFL-15A-N270



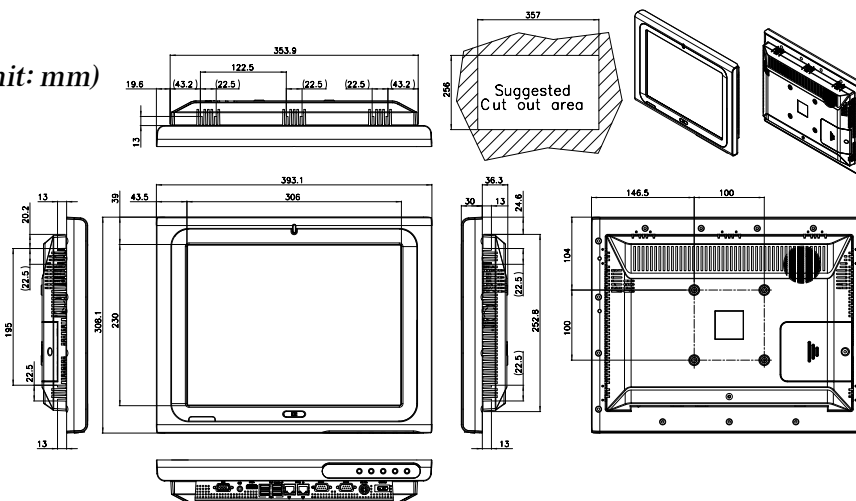
# AFL-15i-HM55



## AFL-15A Dimensions (Unit: mm)



## AFL-15i Dimensions (Unit: mm)



## Ordering Information

### • High Luminance (400 cd/m<sup>2</sup>)

| Part Number                | Description  |
|----------------------------|--|
| AFL-15A-N270/R/1G-R30      | 15" 400cd/m <sup>2</sup> XGA LED backlighting fanless panel PC with Intel® Atom™ N270 1.6GHz CPU, 1GB DDR2 RAM, 802.11b/g/n wireless module, touch screen, R30 |
| AFL-15i-HM55-P45/R/1G-R20  | 15" 400cd/m <sup>2</sup> XGA LED backlighting panel PC with Intel® Celeron P4500 1.86G CPU, 1GB DDR3 RAM, 802.11b/g/n wireless module, touch screen, R20       |
| AFL-15i-HM55i3-35/R/2G-R20 | 15" 400cd/m <sup>2</sup> XGA LED backlighting panel PC with Intel® Core™ i3-350M 2.26G CPU, 2GB DDR3 RAM, 802.11b/g/n wireless module, touch screen, R20       |
| AFL-15i-HM55i5-52/R/2G-R20 | 15" 400cd/m <sup>2</sup> XGA LED backlighting panel PC with Intel® Core™ i5-520M 2.4G CPU, 2GB DDR3 RAM, 802.11b/g/n wireless module, touch screen, R20        |
| AFL-15i-HM55i7-62/R/2G-R20 | 15" 400cd/m <sup>2</sup> XGA LED backlighting panel PC with Intel® Core™ i7-620M 2.66G CPU, 2GB DDR3 RAM, 802.11b/g/n wireless module, touch screen, R20       |

### • Regular Luminance (250 cd/m<sup>2</sup>)

| Part Number                 | Description   |
|-----------------------------|---|
| AFL-15AE-N270/R/1G-R22      | 15" 250cd/m <sup>2</sup> XGA fanless panel PC with Intel® Atom™ N270 1.6GHz CPU, 1GB DDR2 RAM, 802.11b/g/n wireless module, touch screen, R22 |
| AFL-15iE-HM55-P45/R/1G-R12  | 15" 250cd/m <sup>2</sup> XGA panel PC with Intel® Celeron P4500 1.86G CPU, 1GB DDR3 RAM, 802.11b/g/n wireless module, touch screen, R12       |
| AFL-15iE-HM55i3-35/R/2G-R12 | 15" 250cd/m <sup>2</sup> XGA panel PC with Intel® Core™ i3-350M 2.26G CPU, 2GB DDR3 RAM, 802.11b/g/n wireless module, touch screen, R12       |
| AFL-15iE-HM55i5-52/R/2G-R12 | 15" 250cd/m <sup>2</sup> XGA panel PC with Intel® Core™ i5-520M 2.4G CPU, 2GB DDR3 RAM, 802.11b/g/n wireless module, touch screen, R12        |
| AFL-15iE-HM55i7-62/R/2G-R12 | 15" 250cd/m <sup>2</sup> XGA panel PC with Intel® Core™ i7-620M 2.66G CPU, 2GB DDR3 RAM, 802.11b/g/n wireless module, touch screen, R12,      |

## ISMM Supported Functions

|                 | Voltage | Fan | Smart Fan | Temperature | WDT | Cash Drawer |
|-----------------|---------|-----|-----------|-------------|-----|-------------|
| AFL-15i(E)-HM55 | V       | V   | V         | V           | V   |             |
| AFL-15A(E)-N270 | V       |     |           | V           | V   |             |

## Packing List

| Item                | Part Number                                | Q'ty | Specification  |
|---------------------|--|------|--|
| Screw Pack          | 44013-030041-RS                            | 4    | M3;5mm   |
| Power Adpater       | 63040-010060-050-RS<br>63040-010060-050-RS | 1    | 90~264V AC; 12V DC; 60W (15A(E)-N270) (Meet PSE)<br>90~264V AC; 12V DC; 96W (15i(E)-HM55) (Meet PSE) |
| Power Cord          | 32000-000002-RS                            | 1    | 1750mm; European Standard  |
| Utility CD          | 7B000-000087-RS                            | 1    |  |
| Touch Pen           | 43125-0002C0-00-RS                         | 1    |  |
| One Key Recovery CD |  | 1    |  |

## Options

| Model                               | AFL-15A(E)-N270                                  | AFL-15i(E)-HM55                              |
|-------------------------------------|--|--|
| Panel Mounting Kit                  | AFLPK-15   | AFLPK-15B                                    |
| Wall Mounting Kit                   | AFLWK-19B  |  |
| Rack Mounting Kit                   | AFLRK-15-R11                                     | N/A  |
| Arm                                 | ARM-11-RS / ARM-31-RS                            |  |
| Stand                               | STAND-A19-RS / STAND-A21-R10-R10 / STAND-210-R11 |  |
| OS: Win CE 6.0<br>(128 MB CF card)  | AFLCF-15-N270-CE060-R30                          | --   |
| OS: Win XPE (1 GB CF card)          | AFLCF-15-N270-XPE-R30                            | AFLSD-15-HM55-2G-XPE-R20<br>(2GB SATA SSD)   |
| OS: Win 7 Embedded<br>(2GB CF card) | AFLCF-15-N270-WES7E-R30                          | AFLSD-15-HM55-4G-WES7E-R20<br>(4GB SATA SSD) |
| Hybrid Card Reader                  | AFLP-17AMSI-U                                    |  |
| Magnetic Stripe Reader              | AFLP-17AMSR-U                                    |  |
| DC 12V Input UPS                    | AUPS-B10-R10 (14.8V 3800MAH)                     |  |
| DC 9~36V Input UPS                  | AUPS-B20-R10 (14.8V 3800MAH)                     |  |
| Bluetooth V2.0+EDR                  | AFL-BT-KIT04-R10                                 | AFL-BT-KIT01-R10                             |