

Features

- >> Intel Skylake-U/Kabylake-U and Celeron BGA processor
- >> Dual channel DDR4 up to 32GB memory
- >> Multiple display: HDMI, DP, eDP/LVDS
- >> Support 10/100/1000Mbit ethernet card
- >> SATA3.0, M.2, PCIe 4x
- >> 12V DC input

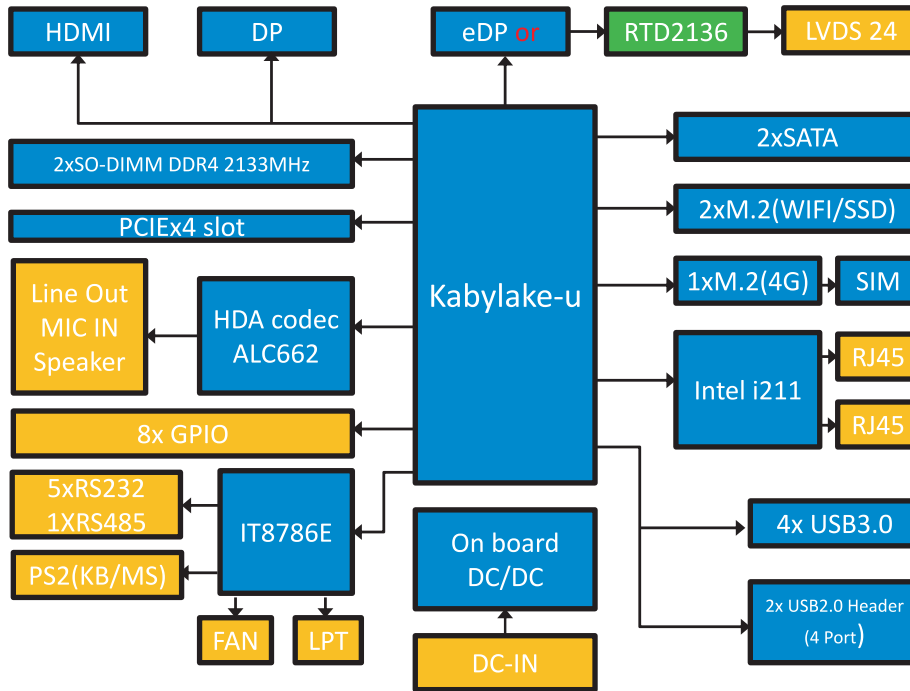


Specification

Processor	CPU	3865U	i3-7100U	i5-7200U	i7-7500U
	Core frequency	1.8GHz	2.4GHz	2.5GHz	2.7GHz
	Turbo frequency			3.1GHz	3.5GHz
	Cache	2MB	3MB	3MB	4MB
	BIOS	AMI 8MB UEFI BIOS			
Memory	Type	Dual channel 2x DDR4 2133MHz			
	Max.	32GB			
Display	GPU	Intel HD Graphics 610/620 (Based on CPU)			
	HDMI	HDMI 1.4			
	DP	DP 1.2			
	LVDS	Yes (optional with eDP)			
	eDP	Optional with LVDS			
Ethernet	Multiple display	HDMI+DP+eDP or LVDS			
	Speed	10/100/1000Mbps			
	Controllor	Intel i211			
	Interface	2xRJ45			
Audio	Wake on LAN	Yes			
	Audio codec	Realtek HD ALC662			
Hardware	Interface	Line-out, MIC-in, audio header, amplifier header			
		CPU system temperature, onboard voltahe, watchdog, Auto power on			
Storage	M.2	1xM.2 for wifi			
		1xM.2 for 4G or 2242 SSD			
		1xM.2 for 2242 SSD			
	SATA3.0	2xSATA3.0 / (only 1 if Celeron onboard)			
Expansion	EMMC	Yes (optional)			
	PCIe×4	1			
Rear panel I/O	Audio	1xLine-out, 1xMIC-in			
	LAN	2(10/100/1000Mbps)			
	USB3.0	4			
	DP	1			
	HDMI	1			
I/O header	COM	5xRS232			
	USB2.0	1xRS485			
	I/O	4xUSB2.0 header			
	HDMI	8xGPIO			
	LPT	HDMI header			
	PS/2	1xJLPT			
Power	Standard port	1x PS2_H			
	Peripheral	1x12V DC-IN/4 PIN Power			
Mechanical & Environmental	Type	For fan and SATA			
	Size	Mini-ITX			
	Operating Temp.	170mm x 170mm (LxW)			
	Storage Temp.	-40°C~60°C			
OS	Support	-40°C~80°C			
		Win10 64 bit, Linux 32/64 bit			

Functional diagram

KL10 BLOCK DIAGRAM



Ordering information

Model	CPU	Memory	HDMI	DP	LVDS	LAN	Audio	RS-232	RS-485	USB 3.0	USB 2.0	SATA 3.0	M2	Power	Cooling
DT3865U-A	celeron 3865U 15W	2xSO-DIMM DDR4	1	1	1	2	Yes	5	1	4	4	1	3	DC-IN	Passive
DT7100U-A	i3-7100U 15W	2xSO-DIMM DDR4	1	1	1	2	Yes	5	1	4	4	2	3	DC-IN	Passive
DT7200U-A	i5-7200U 15W	2xSO-DIMM DDR4	1	1	1	2	Yes	5	1	4	4	2	3	DC-IN	Passive
DT7500U-A	i7-7500U 15W	2xSO-DIMM DDR4	1	1	1	2	Yes	5	1	4	4	2	3	DC-IN	Passive
Customized															

I/O interfaces

