

 Industrial Touch Display	SPECIFICATION	NO	
		VER	1.0
		TIME	2014.2.28
		EDIT	Mark

USER MANUAL



MODEL: ITD55OFT5K1

	SPECIFICATION	NO	
		VER	1.0
		TIME	2014.2.28
		EDIT	Mark

CONTENTS

- * Safety Instructions3
- * Basic Parameters4~5
- * OSD MENU Function Key5
- * System Setup6~8
- * Mechanical Drawing8
- * Solutions for Common Problems9
- * Typical Applications9
- * How to Contact Us9

	SPECIFICATION	NO	
		VER	1.0
		TIME	2014.2.28
		EDIT	Mark

Safety Instructions

1. Read these safety instructions carefully.
2. Disconnect this equipment from any AC outlet before cleaning. Use a damp cloth. Do not use liquid or spray detergents for cleaning.
3. For plug-in equipment, the power outlet socket must be located near the equipment and must be easily accessible.
4. Keep this equipment away from humidity.
5. Put this equipment on a reliable surface during installation. Dropping it or letting it fall from high distance may cause damage.
6. The openings on the enclosure are for air convection. Protect the equipment from overheating.
7. Make sure the voltage of the power source is correct before connecting the equipment to the power outlet.
8. Position the power cord so that people cannot step on it. Do not place anything over the power cord.
9. All cautions and warnings on the equipment should be noted.
10. If the equipment is not used for a long time, disconnect it from the power source to avoid damage by transient over voltage.
11. Never pour any liquid into an opening. This may cause fire or electrical shock.
12. Never open the equipment. For safety reasons, the equipment should be opened only by qualified service personnel.
13. If one of the following situations arises, get the equipment checked by service personnel:
 - A) The power cord or plug is damaged.
 - B) Liquid has penetrated into the equipment.
 - C) The equipment has been exposed to moisture.
 - D) The equipment does not work well, or you cannot get it to work according to the user's manual.
 - E) The equipment has been dropped and damaged.
 - F) The equipment has obvious signs of breakage.
14. DO NOT LEAVE THIS EQUIPMENT IN AN UNCONTROLLED ENVIRONMENT WHERE THE STORAGE TEMPERATURE IS BELOW -10°C OR ABOVE 60°C. THIS MAY DAMAGE THE EQUIPMENT.

	SPECIFICATION	NO	
		VER	1.0
		TIME	2014.2.28
		EDIT	Mark

BASIC PARAMETERS


2. 1 General

Model	ITD55OFT5K1
IP	IP65(for front panel only)
Outline Dimensions	Width: 1276.6mm Height: 747.4mm Depth: 60mm
Weight (N.W/G.W)	42.2Kg / 48.3Kg (Approx.)
Packing Dimension	1389(W) × 850(H) × 190(D)mm
Speakers	8Ω10W
LCD Type	55" Active matrix TFT-LCD
Video Input	VGA and DVI-I, HDMI, Audio
Recommend Resolution	1920×1080@60Hz,75Hz
OSD controls	Allow On-Screen Adjustments of Brightness, Contrast Ratio, Auto-adjust, Phase, Clock, H/V Location, Languages, Function, Reset
Power Supply	Type: Internal Power Supply Input (line) Voltage: 100-240 VAC Output Voltage/Current: 12V
Power Consumption	<160W
Mount Interface	1)VESA 300mm×400mm 2)Side Mounting Brackets (Optional)
Regular Warranty	1 Year for TFT Panel and 2 Years for Others
Agency Approval	FCC, CE, RoHS Certified

2. 2 LCD Specification

Active Area(mm)	1209.6(H) x 680.4(V)
Resolution	1920×1080
Dot Pitch(mm)	0.630×0.630
Nominal Input Voltage VDD	+12V(Typ)
Viewing angle (L/R/T/B)	89°/89°/89°/89°
Contrast	1200:1
Luminance(cd/m2)	400
Response Time(Rising/Falling)	8s
Support Color	16.7M
Screen Scanning	60Hz
Backlight MTBF(hr)	50000h

2.3 Touch Screen Specification

	SPECIFICATION		NO	
			VER	1.0
			TIME	2014.2.28
			EDIT	Mark
Type	Projected Capacitive Touch Screen			
Resolution	4096×4096			
Light Transmission	85%±5%			
Touch Life Cycle	50 millions times			
Touch Response time	5ms			
Touch System Interface	USB A type			
Operating Temperature	-10~60°C			
Operating System Support	Plug and Play for Windows 7/8/10, Linux Kernel 3.18.12 or above Drivers for Windows CE/XP, Android			

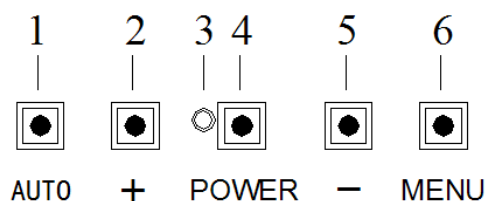
2.4 Internal Power Supply

Input	100-240 VAC, 50-60 Hz
MTBF	50000 hr at 25°C

2.5 Environment

Operating Temp.	-10~50°C
Storage Temp.	-10~60°C
Operating RH:	20%~80%
Storage RH:	10%~90%

OSD MENU FUNCTION KEY



- A) **[AUTO]** key is designated for invoking AUTO ADJUST function at any time once is pressed for H-position, V-position, Pixel Clock and Phase for an optimal image.
- B) **[+]** key is designated for selection function in up direction in OSD menu and also to increase the value on selected function.
- C) **[Power]** Key is designated for Power On/Off
- D) **[-]** key is designated for selection function in down direction in OSD menu and also to decrease the value on selected function.

	SPECIFICATION		NO	
			VER	1.0
			TIME	2014.2.28
			EDIT	Mark

E) **[Menu]** Key is designated for Menu/Enter function depending on the selected item. Pressing **[Menu]** can invoke OSD menu. After that, **[Menu]** is also an entry key.

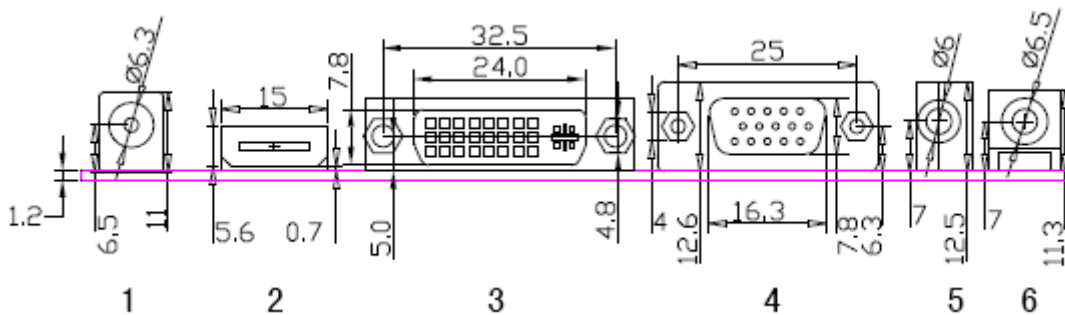
System Setup

4.1 Preparing for First-time Use

Before you start to set up the LCD Monitor, you should have at least the following items ready in your accessory box:

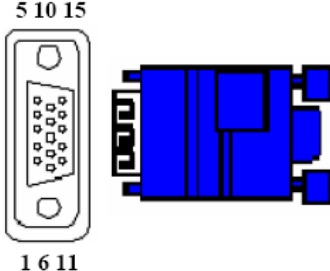
- A) 12V DC Power Adapter(below 24" only);
- B) Power Cord for Adapter;
- C) 1.8m VGA cable/DVI cable/HDMI cable;
- D) USB cable(A-A)

4.2 I/O arrangement

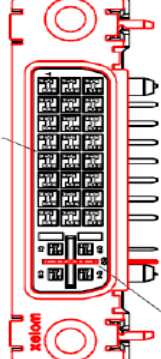


NO.	Description
1	DC2.0 IN
2	HDMI IN
3	DVI IN
4	VGA IN
5	PC AUDIO IN
6	EARPHONE OUT

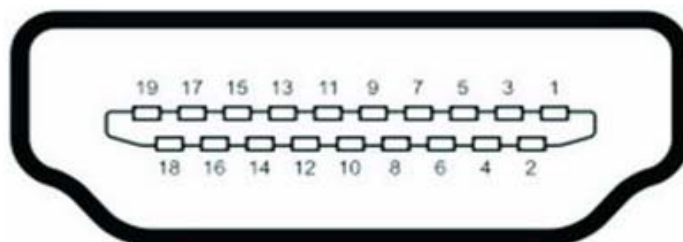
4.2.1 VGA (D-SUB DB15) Signal Definitions:

SHAPE AND PIN NUMBER	PIN	DESCRIPTION	PIN	DESCRIPTION
	1	Red	9	No Connection
	2	Green	10	Ground – Sync
	3	Blue	11	No Connection
	4	No Connection	12	Data(SDA)
	5	Ground	13	Horizontal Sync
	6	Ground - Red	14	Vertical Sync
	7	Ground - Green	15	Clock(SCL)
	8	Ground - Blue		

4.2.2 DVI Signal Definitions:

SHAPE AND PIN NUMBER	PIN	DESCRIPTION
	1	DATA 2-
	2	DATA 2+
	3	DATA 2/4 Shield
	4	DATA 4-
	5	DATA 4+
	6	DDC Clock
	7	DDC DATA
	8	No connect
	9	DATA 1-
	10	DATA 1+
	11	DATA 1/3 Shield
	12	DATA 3-
	13	DATA 3+
	14	+5V Power
	15	Ground
	16	Hot Plug Detect
	17	DATA 0-
	18	DATA 0+
	19	DATA 0/5 Shield
	20	DATA 5-
	21	DATA 5+
	22	Clock Shield
	23	CLOCK+
	24	CLOCK-

4.2.3 HDMI Signal Definitions:



PIN	DESCRIPTION
1	TMDS Data2+
2	TMDS Data2 Shield
3	TMDS Data2-
4	TMDS Data1+
5	TMDS Data1 Shield
6	TMDS Data1-
7	TMDS Data0+

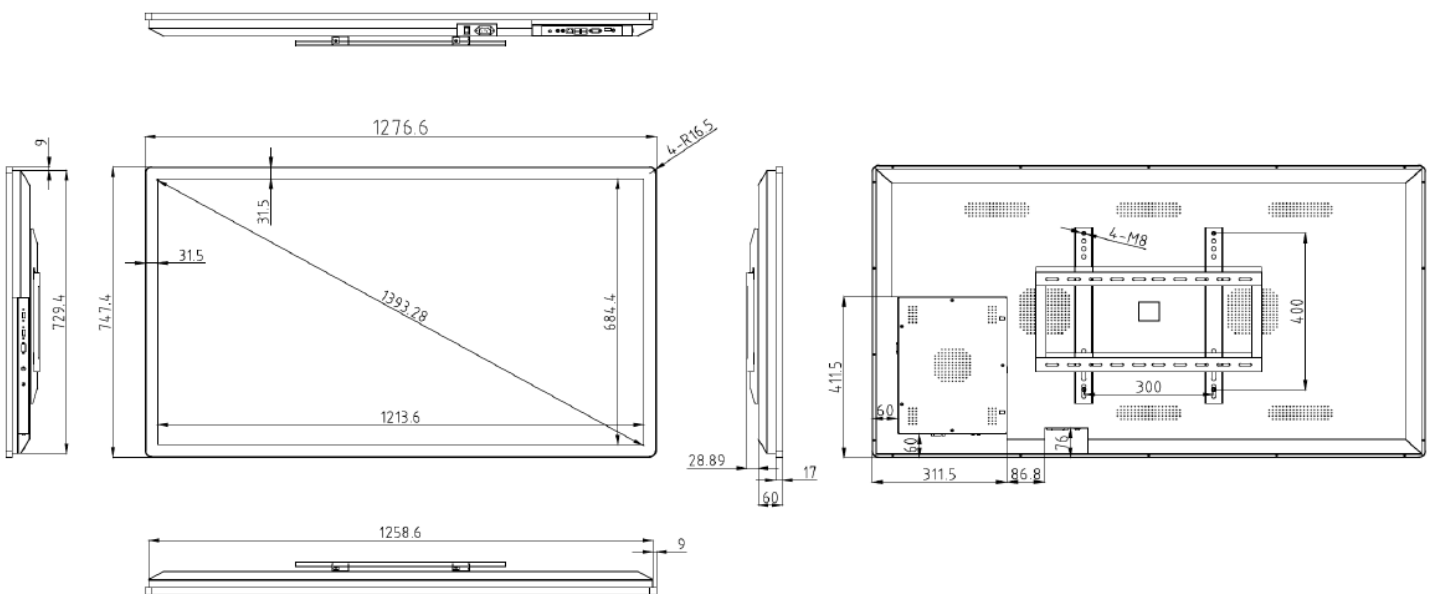
	SPECIFICATION		NO	
			VER	1.0
			TIME	2014.2.28
			EDIT	Mark

8	TMDS Data0 Shield
9	TMDS Data0-
10	TMDS Clock+
11	TMDS Clock Shield
12	TMDS Clock-
13	CEC
14	Reserved (N.C. on device)
15	SCL
16	SDA
17	DDC/CEC Ground
18	+5V Power

4.3 Setup the Driver

- A) Make sure the touchscreen USB Cable is properly connected. The setup program cannot configure the touchscreen without it.
- B) Insert the CD Kit into your PC system's CD drive.
- C) Click the SETUP.EXE installation program. The Setup program begins to execute and load the driver.
- D) Follow the instructions displayed on the screen. Make your selections carefully when answering questions to complete the installation.

Mechanical Drawing



	SPECIFICATION	NO	
		VER	1.0
		TIME	2014.2.28
		EDIT	Mark

Solutions to Common Problems

Problem	Suggestion(s)
The monitor does not respond after you turn on the system.	1) Check that the monitor's Power Switch if it is on. 2) Turn off the power and check the monitor's power cord and signal cable for proper connection.
Characters on the screen are dim.	Refer to the Touch monitor Adjustments section to adjust the brightness.
The screen is blank.	1) During operation, the monitor screen may automatically turn off as a result of the Power Saving feature. Press any key to see if the screen reappears. 2) Refer to the Touch monitor Adjustments section to adjust the brightness.
Screen flashes when initialized	Turn the monitor off and then turn it on again.
"Out of Range" display	Check to see if the resolution of your computer is higher than that of the LCD display.
Touch doesn't work	Make sure the touch cable is securely attached at both ends.

Typical Application

Banking Automation
 Gaming/Casino Systems
 Self-Service Kiosks
 Entertainment
 Transport and Ticketing
 Customized Solutions

How to Contact us

After-Sales Service Center: 3005, Chuangxingda Business Center, NO38, LiuXian 3rd Rd, 72 Area, Bao'an, Shenzhen, China

Tel: 0086-755-29192585

sales@itd-tech.com

www.itd-tech.com